

## AES Technical Bulletin

### 5/16" Auger Motor Conversion to 1/2" Auger Motor

**Product models covered:** Little Rascal, Crossfire, and Harvester

**Topic:** This technical bulletin will be addressing the conversion from a 5/16" to 1/2" (drive shaft diameter) auger motor, what questions and information are needed to determine correct parts, parts, and how to assemble the parts.

**Questions & Information to determine correct parts:**

- ◆ If a 5/16" auger motor is needed, part# PP-535, this part is no longer available.
- ◆ A 1/2" auger motor will need to be purchased.
- ◆ Does the auger have an adapter, female end, welded on the end? (see Photo A)
  - If the answer is Yes: What size diameter is the adapter?
    - 1 1/2" diameter = order HR-0000-931S (male adapter) & PP-146 (1/2" flat steel washer) (see Photo C)
    - 2" diameter = order HR-0000-931 (male adapter) (see Photo B)
  - If the answer is No: A new auger is needed. (see Photo D)
- ❖ With a 1 1/2" diameter shaft use the following:
  - For the Harvester (HR-01) and the Crossfire-Corn (CF04-C) order PP-1500S
  - For the Crossfire-Pellet (CF04-P) and the NPS order PP-1501S
- ❖ With a 2" diameter shaft use the following:
  - For the Harvester (HR-01) and the Crossfire-Corn (CF04-C) order PP-1500
  - For the Crossfire-Pellet (CF04-P) and the NPS order PP-1501
  - For the Little Rascal (LR-01) order PP-1502



Photo A



Photo B



Photo C

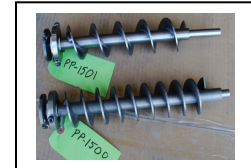
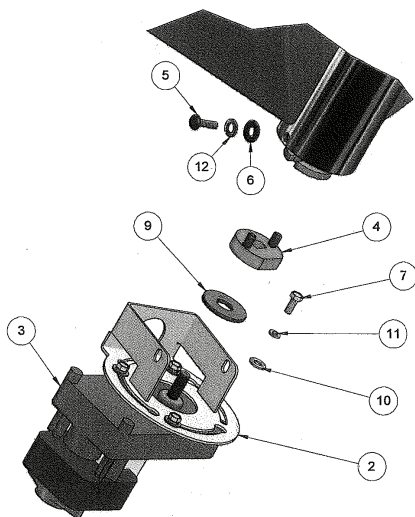


Photo D

**Repair/replacement procedure:** Unplug the stove before servicing. Assemble as diagrammed below.



- 2 = Auger motor bracket = HR-0000-42
- 3 = 1/2" Auger motor = PP-535-1
- 4 = Male adapter = HR-0000-931/HR-0000-931S
- 5 = PP-152 = 1/4"-20 x 3/4" BHMS
- 6 = PP-176-B = 1/4" Flat Washer
- 7 = PP-792 = 10-32 x 1/2" SS Screw (4 needed)
- 9 = PP-146 = 1/2" Flat Steel Washer
- 10 = PP-174 = #10 Flat Washer (4 needed)
- 11 = PP-173 = #10 Lock Washer (4 needed)
- 12 = PP-178 = 1/4"-20 Lock Washer