

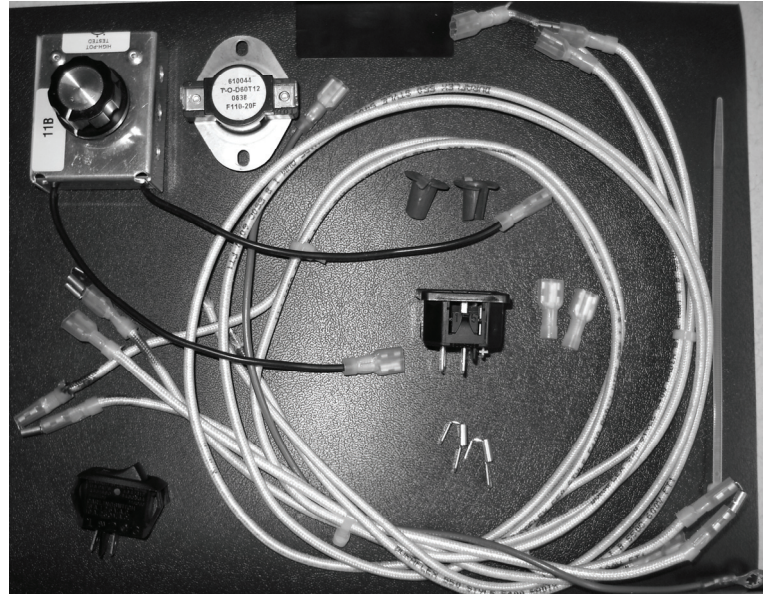
Electrical Replacement kit

Part #OV-5500

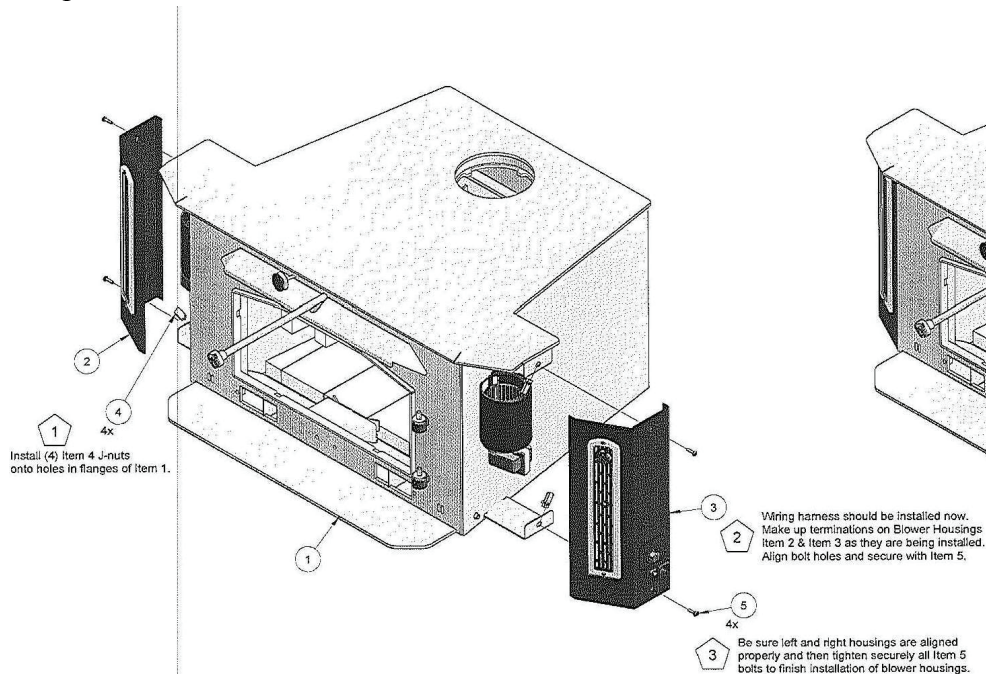
For Models OV-26BF-I units

- Remove from box and verify all parts prior to installation. (blower motors ordered separate)

- (1) PP-637 High/Low Rocker switch
- (1) PP-350 Rheostat
- (1) MF3532 Power cord
- (1) MF3537 Thermostat 110 Deg auto reset
- (1) P003248 Cable ties
- (1) O2-2000 Wire harness assembly
- (1) PP-989 Power cord receptacle w/ 6 amp fast acting fuse
- (2) P003100-F Connector, female fully insulated
- (2) PP-1094 Connector-molex male 2 way
- (2) Conduit wire protector
- (1) Instruction sheet

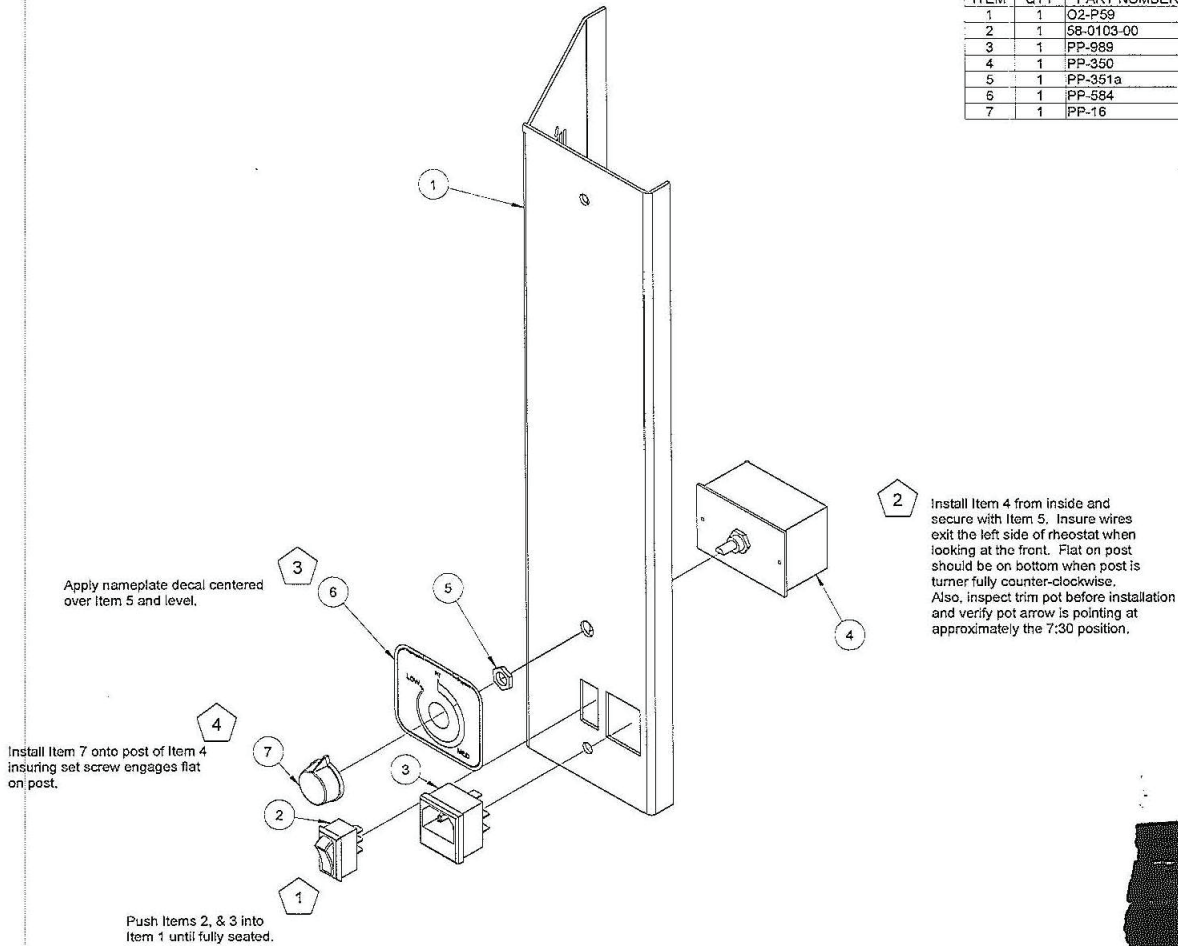


- Remove side panels.

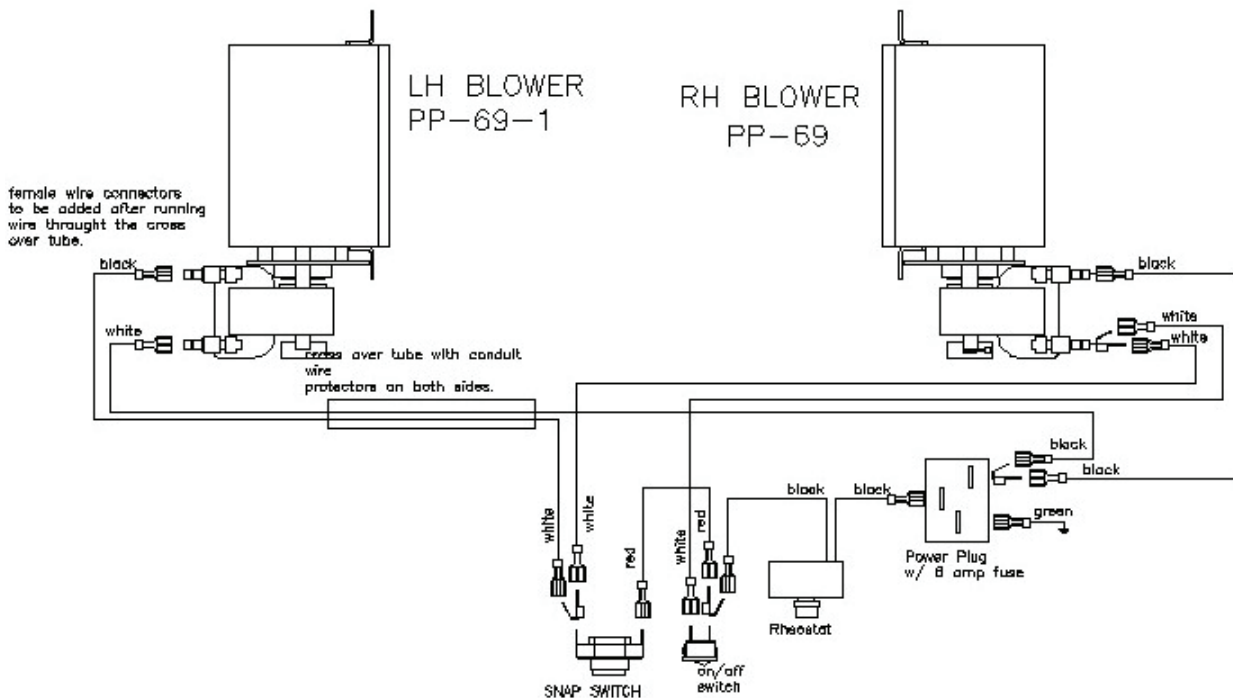


- Install electrical components on right side panel as shown.

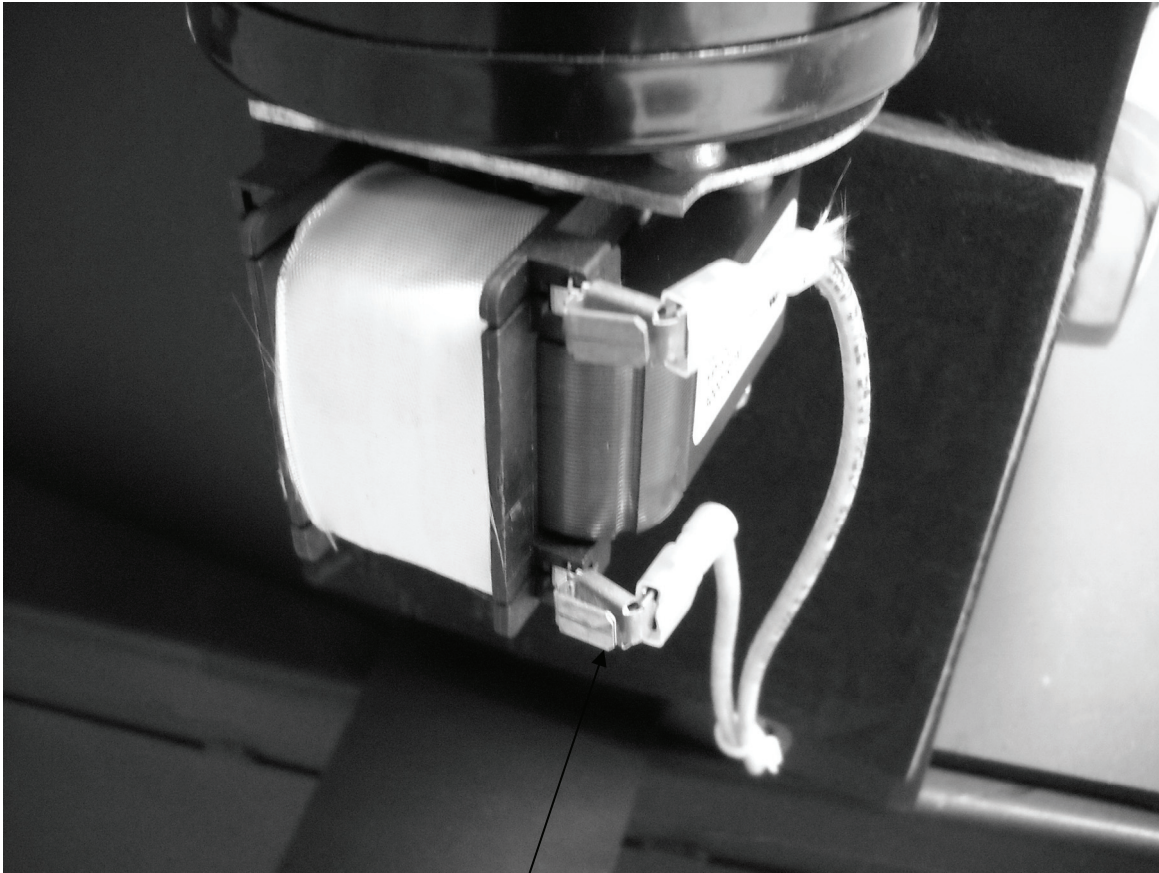
Parts List			
ITEM	QTY	PART NUMBER	DESCRIPTION
1	1	O2-P59	O2 Blower Housing, Right
2	1	58-0103-00	SWITCH SPDT ROCKER
3	1	PP-889	110 VOLT RECEPTACLE
4	1	PP-350	2800 RHEOSTAT
5	1	PP-351a	RHEOSTAT NUT(W/ RHEOSTAD)
6	1	PP-584	BBF Speed Control Name Plate
7	1	PP-16	ROUND RHEOSTAT KNOB, BLACK



- Wire electrical components as shown see wiring schematic.



- When mounting the wires on the left hand blower use the (2) female end connector and (2) male 2 way connector as shown. Make sure the terminals are rotated as shown in picture to prevent blowers from shorting.



Make sure terminals are bent
and wires are routed as shown.